

10W Broadband SP4T

FEATURES

- Low insertion loss
 - 0.45dB @ 1GHz
- High isolation
 - 35dB @ 1GHz
- High linear power handling
- No external DC blocking capacitors on RF lines
- Versatile 2.6-5.25V power supply

APPLICATIONS

- Private Mobile Radio handsets
- Public safety handsets
- Cellular infrastructure
- Small cells
- LTE relays and microcells
- Satellite terminals

DESCRIPTION

The TS7242K is a symmetrical reflective Single Pole Four Throws (SP4T) switch designed for broadband, high power switching applications. Its broadband behavior from DC to 3GHz frequencies makes the TS7242K an excellent switch for all the applications requiring low insertion loss, high isolation and high linearity within a small package size.

The TS7242K is packaged into a compact Quad Flat No lead (QFN) 3x3mm 16 leads plastic package.

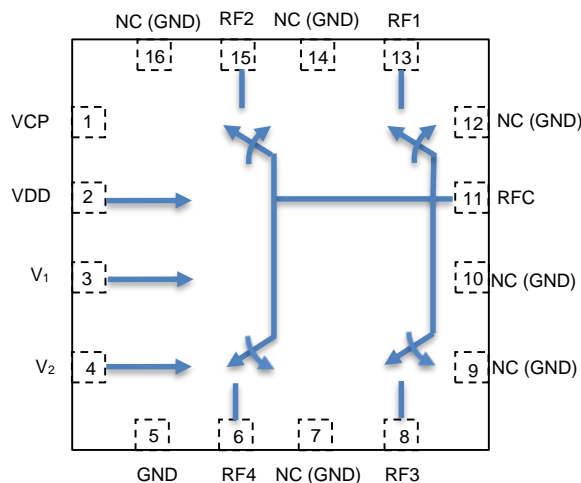


Figure 1: Functional Block Diagram (top view)

ORDERING INFORMATION

Base Part Number	Package Type	Standard Pack		Orderable Part Number
		Form	Quantity	
TS7242K	QFN 3 mm x 3 mm	Tape and Reel	3000	TS7242KMTRPBF

PIN DESCRIPTION

PIN NUMBER	PIN NAME	DESCRIPTION
1	VCP	Input Pin. Connecting a SMD Capacitor (or capacitor in parallel with high value resistor) between this pin and ground enable faster switching time
2	VDD	DC power supply
3	V1	Switch control input 1
4	V2	Switch control input 2
5	GND	Ground
6	RF4	RF throw 4
7	NC	This pin is not connected to internal circuit. Connect to PCB ground plane if needed (e.g. coplanar access line)
8	RF3	RF throw 3
9	NC	This pin is not connected to internal circuit. Connect to PCB ground plane if needed (e.g. coplanar access line)
10	NC	This pin is not connected to internal circuit. Connect to PCB ground plane if needed (e.g. coplanar access line)
11	RFC	RF Common port
12	NC	This pin is not connected to internal circuit. Connect to PCB ground plane if needed (e.g. coplanar access line)
13	RF1	RF throw 1
14	NC	This pin is not connected to internal circuit. Connect to PCB ground plane if needed (e.g. coplanar access line)
215	RF2	RF throw 2
16	NC	This pin is not connected to internal circuit. Connect to PCB ground plane if needed (e.g. coplanar access line)

The backside ground slug of the package must be grounded directly to the ground plane to ensure proper operation

ABSOLUTE MAXIMUM RATINGS

PARAMETER	SYMBOL	RATINGS	UNITS
Power supply voltage	VDD	2.6 to 5.5	V
Storage temperature Range	T _{st}	-55 to +125	°C
Operating Temperature Range	T _{op}	-40 to +85	°C

Exceeding one or a combination of the Absolute Maximum Ratings conditions may cause permanent damage to the device.

SWITCH TRUTH TABLE

V2	V1	RF PATH
0	0	RFC-RF1
0	1	RFC-RF2
1	0	RFC-RF3
1	1	RFC-RF4

The switch can be operated with only 2 control lines V1 and V2. There is an internal pull-down to ground on the V1 and V2 control pins: default switch state at start-up without any control voltage applied will be RFC-RF1 on.

ELECTRICAL SPECIFICATIONS

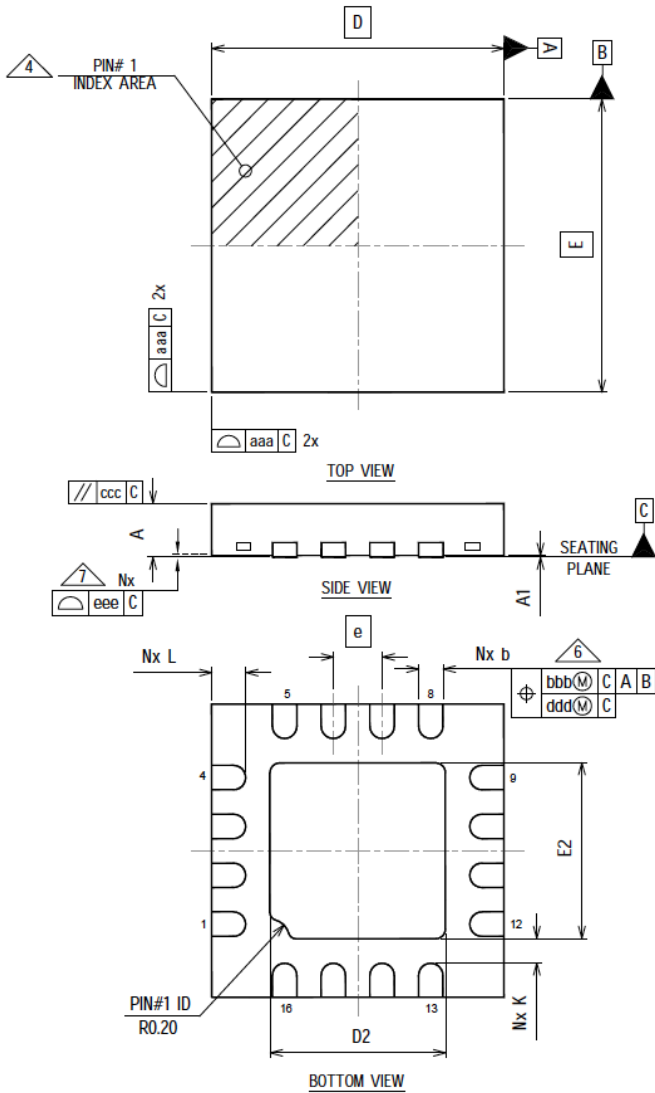
Temperature=25°C, VDD=2.7V, 50Ω source and load conditions

PARAMETER	CONDITIONS	MIN	TYP	MAX	UNITS
Operating frequency		10		3000	MHz
Insertion loss	1GHz		0.35		dB
	2GHz		0.6		
	3GHz		0.8		
Isolation RFC-RF1,3	1GHz		40		dB
	2GHz		30		
	3GHz		25		
Return Loss RFC, RFx	1GHz		20		dB
	2GHz		18		
	3GHz		14		
Harmonic distortion					
H2	900MHz, Pin=35dBm		-40		dBm
H3	900MHz, Pin=35dBm		-45		dBm
IIP3	1GHz		70		dBm
P0.1dB	1GHz	40	42		dBm
Switching time ²	50% ctrl to 10/90% of the RF value is settled		1.5		μs
Control voltage	Power Supply VDD	2.6	3.3	5.25	V
	V ₁ , V ₂ ctrl pins V _{ih}	0.67*VDD	VDD	VDD+0.3	V
	All Control pins V _{il}	-0.3		0.3*VDD	V
Control current	I _{il} , V1 or V2 ctrl voltage =0.3*VDD		0		μA
	I _{ih} , V1 or V2 ctrl voltage = VDD			7.5	μA
Current consumption	Active mode		225		μA

Note 1: No external DC blocking capacitors required on the RF terminals unless DC voltage is applied on an RF terminal.

Note 2: With 5M ohm resistor and 1nF capacitor to ground on Vcp pin.

PACKAGE INFORMATION



Dimension Table				NOTE
Thickness Symbol	V			
	MINIMUM	NOMINAL	MAXIMUM	
A	0.80	0.90	1.00	
A1	0.00	0.02	0.05	
b	0.20	0.25	0.30	6
D	3.00 BSC			
E	3.00 BSC			
e	0.50 BSC			
D2	1.65	1.80	1.90	
E2	1.65	1.80	1.90	
K	0.20	---	---	
L	0.30	0.35	0.40	
aaa	0.05			
bbb	0.10			
ccc	0.10			
ddd	0.05			
eee	0.08			
N	16			3
ND	4			5
NE	4			5
NOTES	1, 2			
LF DWG NO.	B-3490			
REV.	1			

Figure 2: Package drawings

EVALUATION KIT

The board consists of a 4 layer stack with 2 outer layers made of Rogers 4350B ($\epsilon_r = 3.48$) and 2 inner layers of FR4 ($\epsilon_r = 4.80$). The total thickness of the board is 62 mils (1.57mm). The inner layers provide a ground plane for the 50 Ω transmission lines. The thickness between signal and ground plane is 16mils. Each transmission line is designed using coplanar waveguide with ground plane (CPWG) model using a trace width of 32 mils (0.813mm), gap of 15 mils (0.381mm), and a metal thickness of 1.4mils (0.051mm).

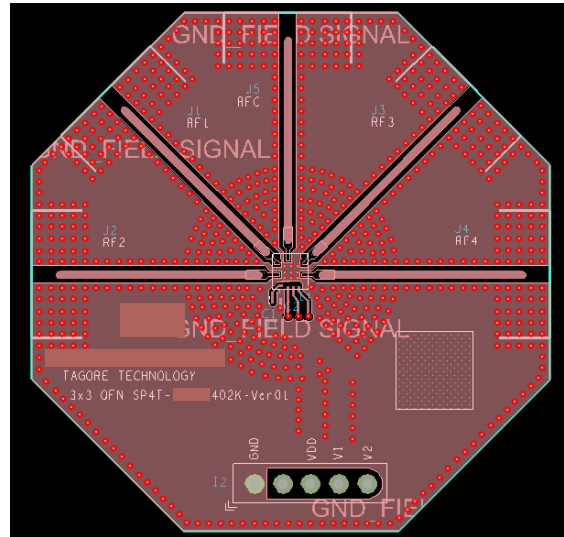


Figure 3: Evaluation board

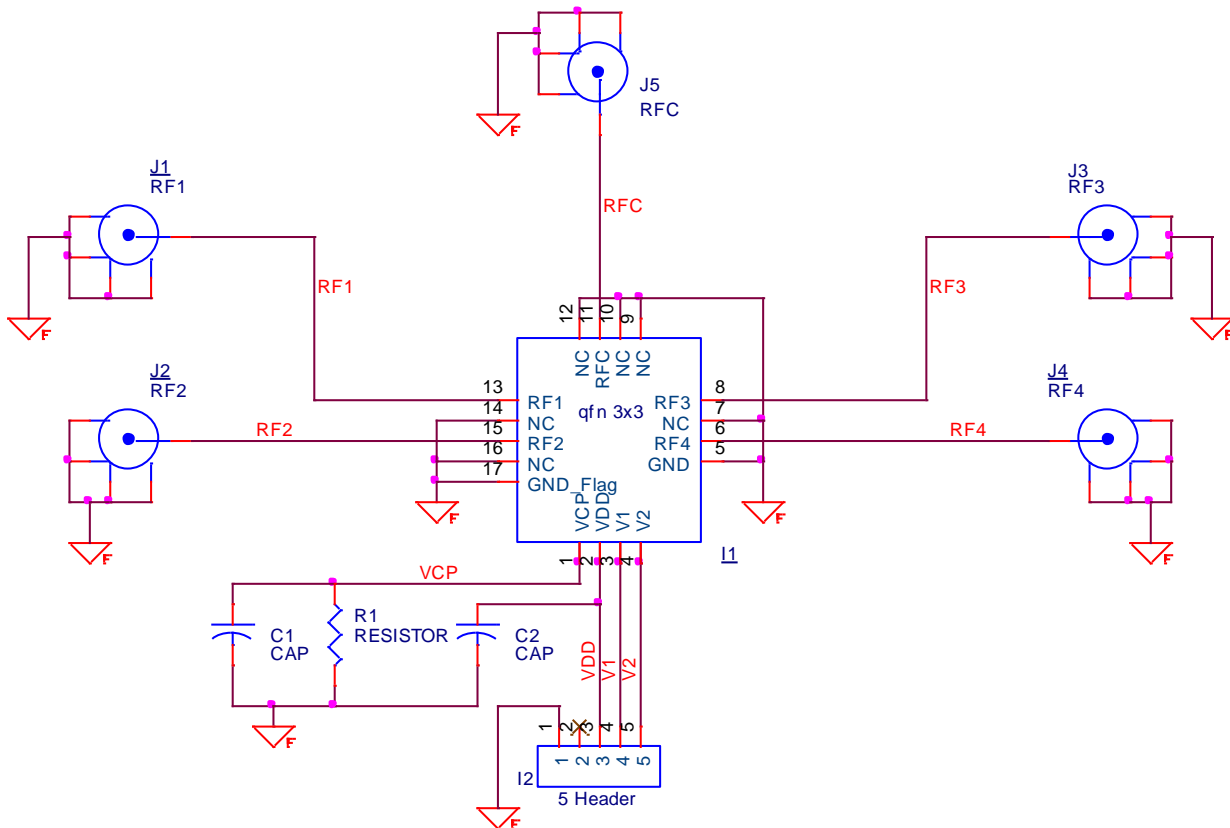


Figure 4: Evaluation board schematic

QUALIFICATION INFORMATION†

Qualification Level		Consumer	
Moisture Sensitivity Level		3x3 QFN	MSL1
	Human Body Model	+/-1KV	
	Charged Device Model	Class TBD	
RoHS Compliant		Yes	

The information provided in this document is believed to be accurate and reliable. However, Tagore Technology assumes no responsibility for the consequences of the use of this information. Tagore Technology assumes no responsibility for any infringement of patents or of other rights of third parties which may result from the use of this information. No license is granted by implication or otherwise under any patent or patent rights of Tagore Technology. The specifications mentioned in this document are subject to change without notice. This document supersedes and replaces all information previously supplied.

For technical support, please contact Tagore Technology
support@tagoretech.com

WORLD HEADQUARTERS:
 5 East College Dr. Suite 200, Arlington Heights, IL 60004