

# TSL8029N

Single Channel 2 – 5GHz 100Watt Receiver Front  
End for MACRO base station

Application Note: TSL8029N EVB D

## Application Note

3300MHz~3800MHz

5V 90mA [HG]

5V 200uA [TX]

Rev-1.0

## List of Contents

- 1 General Description
- 2 TSL8029N-EVB-D Board Details
- 3 TSL8029N-EVB-D Bill of Material
- 4 TSL8029N-EVB-D Biasing sequence
- 5 TSL8029N-EVB-D Board Measurement Summary
- 6 TSL8029N-EVB-D Board Measurement Results

## 1. General Description

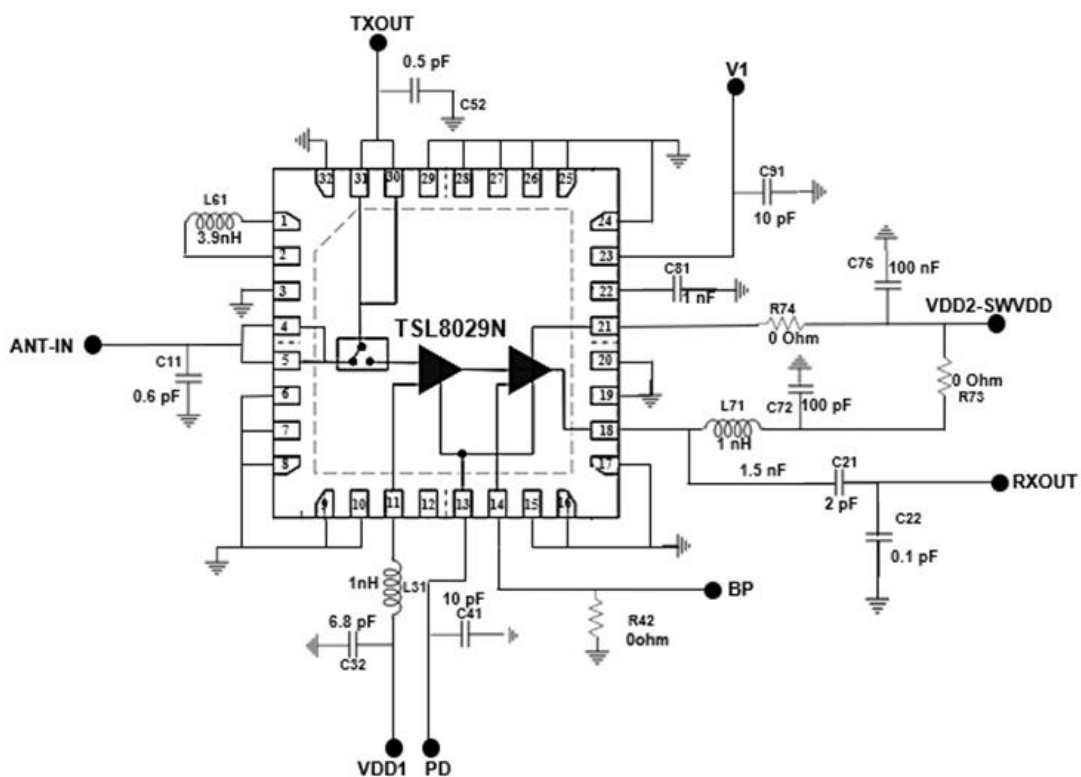
The TSL8029N is a single-channel, integrated RF, front-end, multichip module designed for different applications. The device operates from 2 GHz to 5GHz. The TSL8029N is configured with a cascading, two-stage, GaAs LNA and a GaN based SPDT switch.

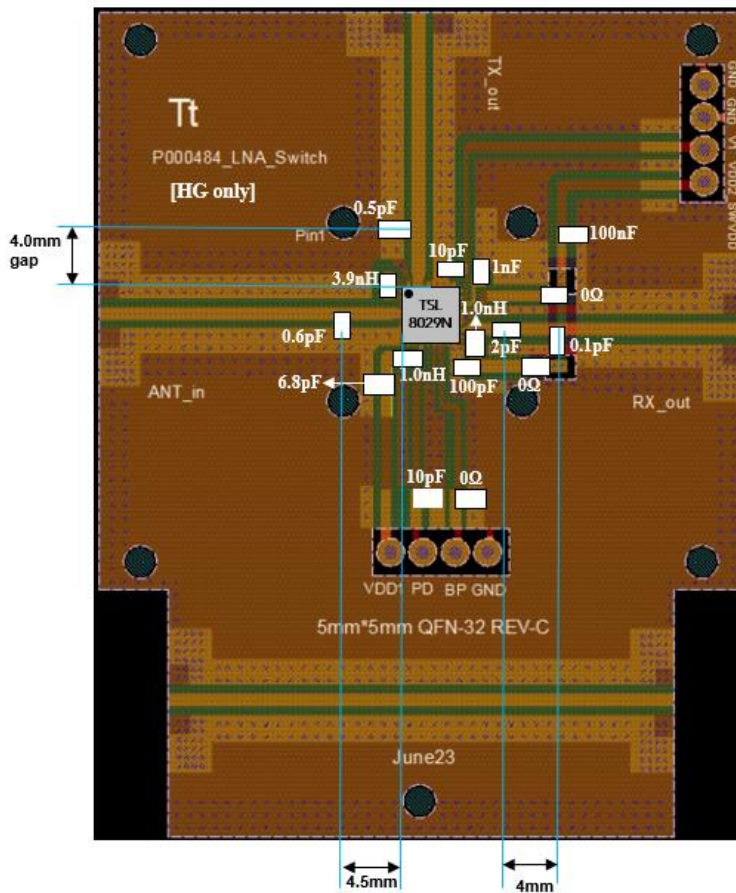
In high gain mode, the cascaded two-stage LNA and switch offer a low noise figure of 1.4 dB and a high gain of 33 dB at 3.6 GHz with an output third-order intercept point (OIP3) of 33 dBm (typical) at high gain mode. In low gain mode, one stage of the two-stage LNA is in bypass, providing 14.5 dB of gain at a lower current of 50 mA. In power-down mode, the LNAs are turned off and the device draws 4 mA.

In transmit operation, when RF inputs are connected to a termination pin (TX), the switch provides low insertion loss of 0.5 dB at 3.6GHz and handles long-term evolution (LTE) average power (8 dB peak to average ratio (PAR)) of 50 dBm for full lifetime operation.

The device comes in an RoHS compliant, compact, 5 mm × 5 mm, 32-lead LFCSP. TSL8029N EVB-D is tuned for 3.3G-3.8GHz.

## 2. TSL8029N-EVB-D Board Details





**Note:** Series cap on ANT and TX ports should have 250V voltage ratings to handle 100W power. The heatsink needs to be added at bottom of this board for proper power spreading.

**Figure 2.1 TSL8029N-EVB-D 3300MHz ~ 3800MHz Schematic and EVB Layout**

### 3. TSL8029N-EVB-D Bill of Material

Component ID	Value	Manufacturer	Recommended Part Number	Qty
C11	0.6 pF	Murata	600S0R6BT250XT	1
C21	2 pF	Murata	GJM1555C1H2R0BB01D	1
C22	0.1 pF	Murata	GJM1555C1HR10BB01J	1
L31, L71	1 nH	Coil craft	0402DC-1N0XJRW	2
C32	6.8 pF	Murata	GJM1555C1H6R8BB01D	1
C41, C91	10pF	Murata	GJM1555C1H100JB01D	2
R42, R73, R74	0 Ω	Panasonic	ERJ-2GE0R00X	3
C52	0.5pF	Murata	600S0R5BT250XT	1
L61	3.9 nH	Coil craft	0402DC-3N9XGRW	1
C72	100 pF	AVX	04025A101JAT4A	1
C76	100 nF	TDK	C1005X7R1H104K050BE	1
C81	1 nF	Murata	04025C102JAT2A	1
PCB	Rogers RO4350B, 20 mils, 1 oz copper			1

**Table 3.1 TSL8029N-EVB-D BOM**

#### 4. TSL8029N-EVB-D Biasing Sequence

Turn ON Device	Turn OFF Device
<ol style="list-style-type: none"> <li>1. Apply bias to the VDD2_SWVDD and VDD1=5V test points.</li> <li>2. Apply bias to the V1 test point.</li> <li>3. Apply bias to the Vdd1 test point.</li> <li>4. Apply bias to the BP test points.</li> <li>5. Apply bias to the PD test point.</li> <li>6. Apply an RF input signal.</li> </ol>	<ol style="list-style-type: none"> <li>1. Turn RF power off.</li> <li>2. Turn off VDD2_SWVDD and VDD1=5V test points.</li> <li>3. Turn off V1, BP and PD</li> </ol>

**Table 4.1 TSL8029N-EVB-D Bias and Sequencing**

#### 5. TSL8029N-EVB-D Board Measurement Summary

Frequency (MHz)	Mode	S21 (dB)	S11 (dB)	S22 (dB)	EVB Noise Figure(dB)	OP1dBm	OIP3dBm
3300	RX High Gain	30.9	-17.4	-21.2	1.4	20	29
3400		30.8	-19.5	-25.4	1.4	21	32.5
3600		30.6	-23.9	-21.8	1.5	20.5	32.6
3800		30.8	-28.6	-16.4	1.5	22	34
3300	TX	-0.6	-20	-20.7			
3400		-0.6	-21.3	-22.1			
3600		-0.7	-27.9	-29.7			
3800		-0.7	-26.9	-25.2			

**Table 5.1 TSL8029N-EVB-D Electrical Characteristics Summary**

## 6. TSL8029N-EVB-D Test Results

All the tests are carried out at room temperature.

### 6.1. S parameters

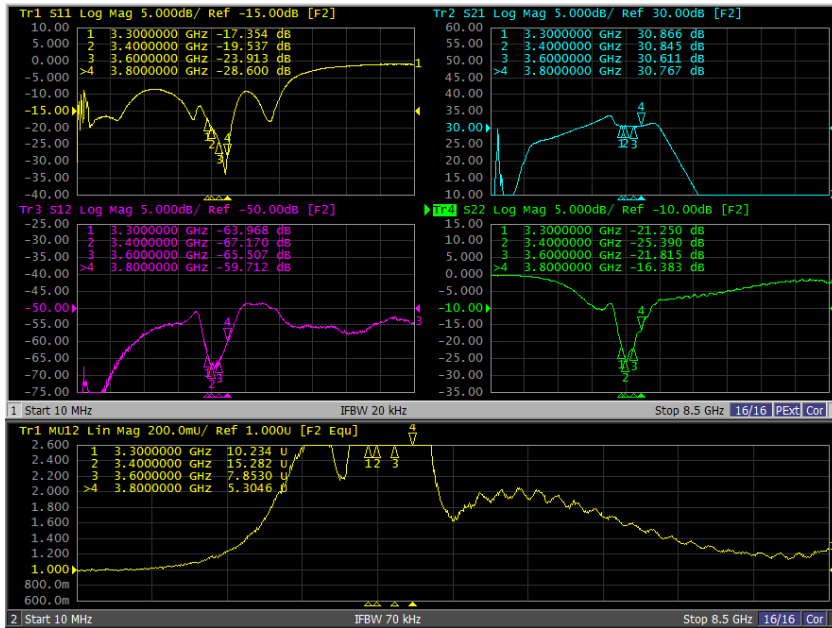


Figure 6.1.1. S parameters of TSL8029N-EVB-D RX-HG 5V 90mA

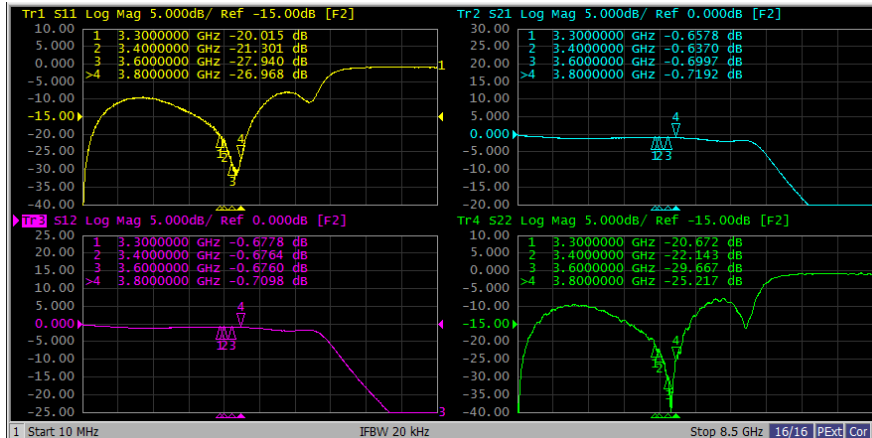


Figure 6.1.2. S parameters of TSL8029N-EVB-D TX

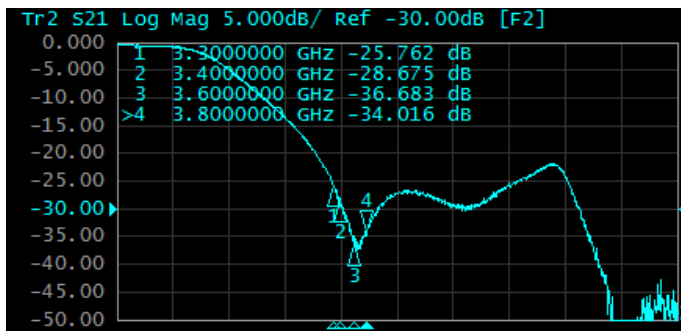


Figure 6.1.3. ANT to TX isolation of TSL8029N-EVB-D when RX-HG is on

## 6.2. SMA-SMA Noise Figure Test Results

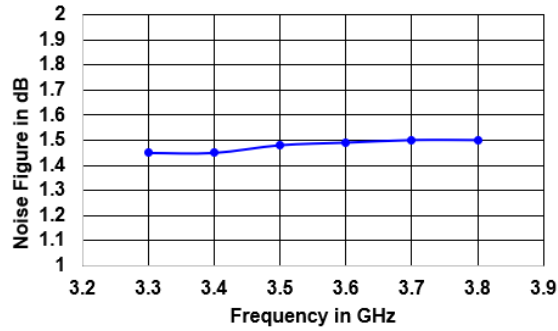


Figure 6.2.1. SMA-SMA Noise Figure of TSL8029N-EVB-D for 5V 90mA for RX-HG mode

**\*\*Note:** The trace loss is within the range of 0.2dB, resulting in a de-embedded NF of 1.25 to 1.3dB

## 6.3. Large Signal Test Results

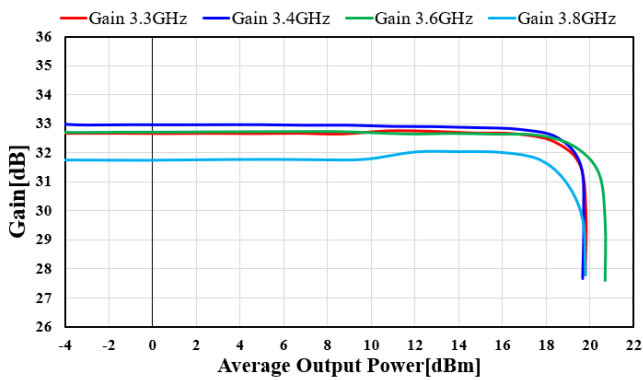


Figure 6.3.1. Gain vs  $P_{OUT}$  of TSL8029N-EVB-D for 5V 90mA for RX-HG mode

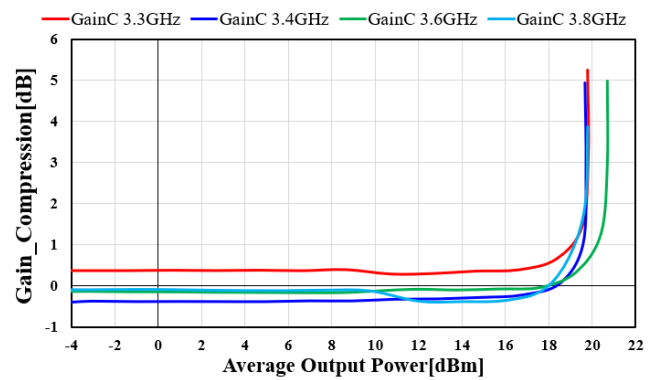


Figure 6.3.2 Gain compression vs  $P_{OUT}$  of TSL8029N-EVB-D for 5V 90mA for RX-HG mode

## 6.4. OIP3 Test Results

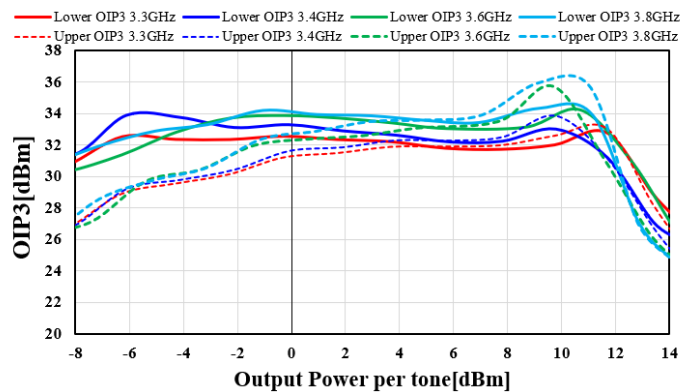


Figure 6.4.1 OIP3dBm vs  $P_{OUT}$  /tone of TSL8029N-EVB-D for 5V 90mA for RX-HG mode

Edition Revision 1.0 - 2023-11-15

Published by

Tagore Technology Inc.

601 W Campus Dr. Ste C1

Arlington Heights, IL 60004, USA

©2020 All Rights Reserved

#### Legal Disclaimer

The information provided in this document shall in no event be regarded as a guarantee of conditions or characteristics. Tagore Technology assumes no responsibility for the consequences of the use of this information, nor for any infringement of patents or of other rights of third parties which may result from the use of this information. No license is granted by implication or otherwise under any patent or patent rights of Tagore Technology. The specifications mentioned in this document are subject to change without notice.

#### Information

For further information on technology, delivery terms and conditions and prices, please contact Tagore Technology: [support@tagoretech.com](mailto:support@tagoretech.com).